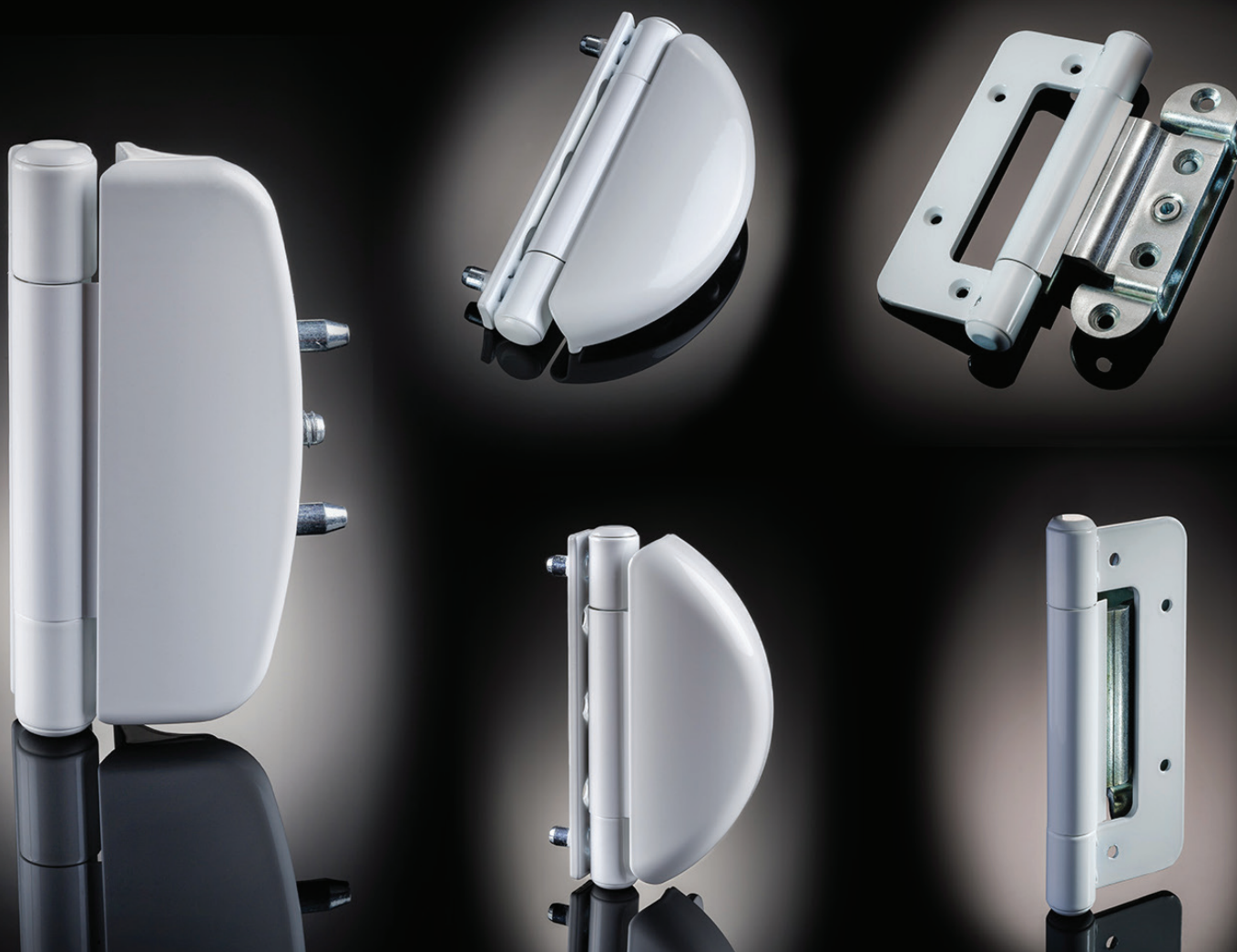


## **Dynamic Hinge Range**

Complete hinge solutions designed for you from SFS intec



**SFS intec has taken hinge design to a new level with the unique Dynamic hinge range**

Developed from criteria specifically set by the UK market, the programme for the Dynamic range took into account security, adjustability, long service life and reliability without compromising on aesthetics.

The foundation of the family is the Dynamic 2D, now a market leading hinge for rebated door-sets. From this successful platform, new family members have been introduced for specific applications.

Dynamic 2D-F for flush fit composite or timber doors, Dynamic 2D-A for rebated aluminium doors and now Dynamic 2D-C for flush composite. The above will offer all of the benefits of the Dynamic platform, whilst offering traditional hinge appearance

**Future proofing for building regulations**

**Part L and Part M**

The changes in the building regulations which became effective in April 2012, sought to address the problems resulting in heat loss through the updating of doors and windows. Part L imposes requirements in terms of both the thermal insulation and the permeability.

Applicable for non-domestic buildings and dwellings too, Part M of the building regulations requires the complete provision for ease of access to, and circulation within all buildings, together with facility requirements for disabled people. Part M also covers all doors specifically in relation to opening width and thresholds.

Part M highlights that the requirements placed on even the smallest components such as a hinge, are just as key. By taking the little things into account, installers and suppliers can ensure compliancy time and time again

**New dwellings and Document Q**

Document Q is the latest addition to building regulations covering door and window security and applies to all new dwellings, including those resulting from a change in use of an existing building, such as commercial premises, warehouse and barns undergoing conversions into dwellings

Specifically, it sets out reasonable standards for doors and windows to resist physical attack by a casual or opportunist burglar by being both sufficiently robust and fitted with appropriate hardware.

As part of their commitment to product specification and accreditation, SFS intec have always produced products that exceed the very best in performance, security and aesthetics and the Dynamic range of hinges is once again testimony to this.

**The pivotal role of hinges in regulations and standards**



**Secured by Design**

Hinges actually play a vital role in the security performance of a door. In order to obtain a 'Secured by Design' license, door-sets must meet BS PAS-024.

This means passing rigorous tests, involving attack by hammers, pry bars and shoulder charging.

As the toughness of locks increase, the durability of hinges becomes more important.

SFS intec hinges are robust enough to meet and exceed these standards throughout the lifetime of the door.



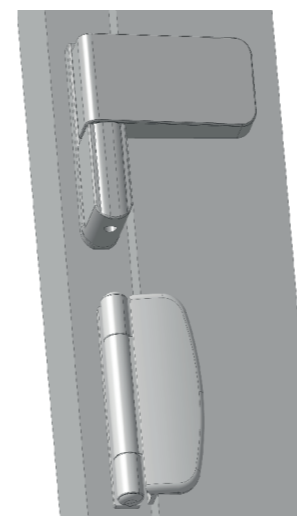
**CE marking regulations**

Under the Construction Products Regulation it is now mandatory to apply CE marking to any products covered by a harmonised European standard (HEN) or product-specific European Technical Assessment (ETA).

This ensures products match the suitability and performance standards claimed and allows customers to recognise trustworthy suppliers.

At SFS intec our products are CE marked when required by the market, through the ETA process, meaning our customers can always depend on a highly reliable supply.

**Much more than just good looks**



◀ Traditional hinges can damage the internal reveal or compromise opening width

◀ SFS intec Dynamic range eliminate the problem

Superficial components need to be aesthetically pleasing, especially where end users are concerned - SFS intec put a great deal of thought into this area.

SFS intec hinges are sleek in appearance and available in a wide range of colours.



The Dynamic 2D frame and sash components are also available in different colours to match any door and frame combination.

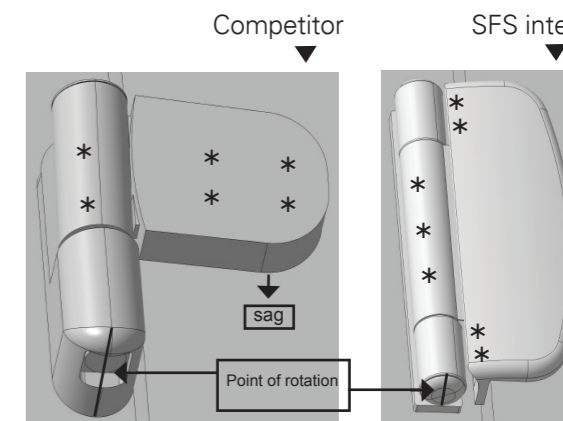


**Eliminate the sag**

The Dynamic range increase the longevity of the door-set by eliminating the problem of doors 'sagging' over time. Basically, this is because the fixed points on the door and frame are closer together than they are with a standard flag hinge.

This means that a flag hinge experiences a greater turning force exerted by the weight of the door, pulling it out of shape.

To demonstrate this principle, try holding an object at arms length and see how much heavier it feels than when it is held close to your body.



\* Fixing Points

The closer together the fixing points and rotational points results in less strain on the door hinge

**Lifetime assurances with SFS intec**

The performance of a doorset quite literally hangs on the hinges. Any movement over time will have a knock on effect on the rest of the doorset. Rock solid hinges are crucial to its consistent flawless operation over a long life.

The enduring quality of SFS intec products comes from the best possible design and engineering and has benefits throughout the supply chain. Ultimately, end users get long lasting performance that they will never even notice.

With SFS intec hinges, installers save time due to the ease of installation and get peace of mind that they will not be required to rectify any costly problems.

Specifiers and fabricators know that they are using the best products. This will contribute to the overall reliability of their work, customer satisfaction and their reputation.

## Dynamic 2D-C Hinge

In response to customer requests for a hinge for composite doors that can offer a traditional appearance, the Dynamic foundation has been further developed to create the slimline Dynamic 2D-C, which improves aesthetics whilst maintaining the strength and durability of the original. The hinge body sits neatly over the air-gap of the door, again without any compromise to the user friendliness or security performance.

### The many benefits of the Dynamic 2D-C

- Fit and forget – eliminates remedial work on sagging doors
- Two dimensional direct adjustment - perfect threshold seal
- High security and strong technical performance - meets PAS 024 and Document Q compliant
- Unique patented lateral adjustment
- Available in a range of finishes

*"I was consulted in the development of the first Dynamic 2D hinge which incorporated all of the features and criteria that I considered essential in a door hinge. The Dynamic 2D-C exhibits all of the same benefits of the original and in my opinion represents a positive development in composite door hinge design. The new product has already been identified by some of our composite door fabricators and installers as their hinge of choice because of its features and benefits."*

*Mike Roe, Sales Manager DoorCo*

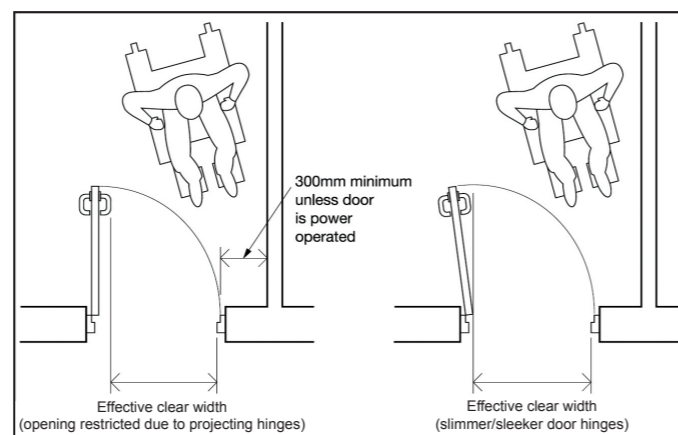


**What meeting Part M hinges on**

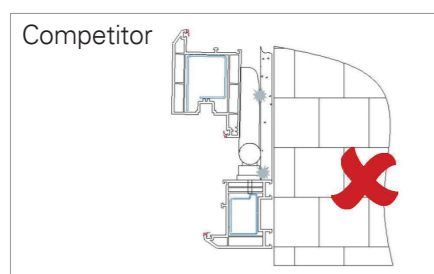
Part M of the building regulations requires door openings to enable wheelchair access and a minimum width of 775mm is specified. Hinge design can be crucial in meeting this standard.

The Dynamic hinge range allows door movement of over 90 degrees, which often makes the crucial difference.

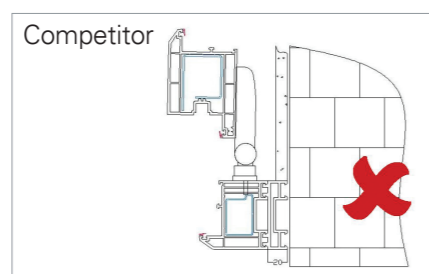
The clear difference a hinge can make ▶



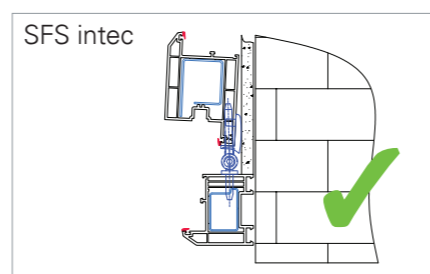
**Wider access with a slimmer hinge**



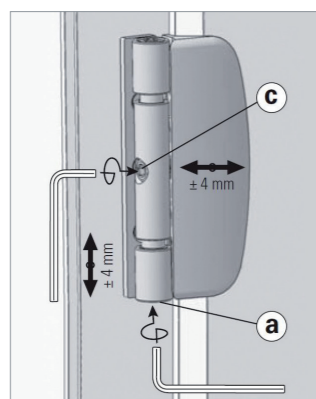
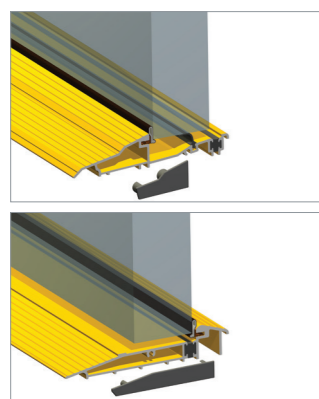
This hinge is too bulky for the frame, so there are two impact points on the internal plaster reveal.



To overcome this, an add-on profile gives the hinge clearance – but this reduces the available clear opening width of the door and adds cost.



The obvious solution is the slimmer Dynamic 2D hinge which maximises the door opening width with ease.

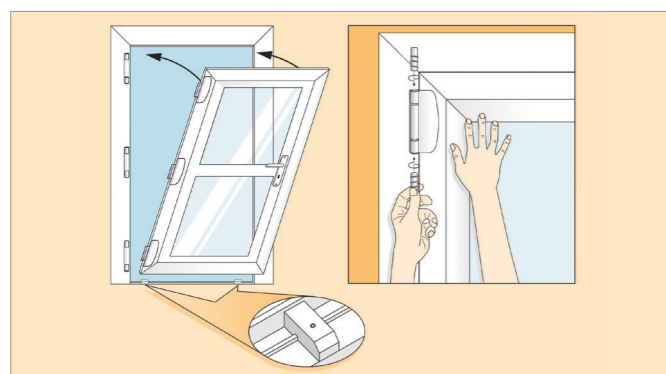


**Low thresholds no problem**

The use of 'low threshold' door sills is on the increase as they are designed to meet Part M. These require very precise hanging of doors with respect to height in order to achieve a good seal.

SFS intec Dynamic hinges feature unique adjustability in a downward or upward direction solving this problem with ease.

◀ Adjustability is the key



**Installation**

The unique design of SFS intec hinges makes installation a one man job. There's no need to lift doors onto hinges from above as they just slide straight on. Minor adjustments can be made in an upward or downward direction after the attachment, to get the perfect fit. This is another unique feature and ensures the long-term performance of the doorset.

◀ Hinges designed for easy installation

Product	Feature/Benefit	Fabricator	Installer	End User / Homeowner
2D 2D-F 2D-C 2D-A	<b>Slimline appearance 3-5mm less than a flag hinge</b> <ul style="list-style-type: none"> <li>Improved aesthetics</li> <li>Wider door opening</li> <li>No damage to door reveal or plaster</li> <li>Reduces the risk of transport damage</li> </ul>	<ul style="list-style-type: none"> <li>You have fewer remakes to produce saving you time and money</li> </ul>	<ul style="list-style-type: none"> <li>Enables you to comply with Part 'M' of building regs.</li> <li>You do not need to repair damage to door or plasterwork</li> <li>Your installations can take place on time, maximising your efficiency, thus saving you time and money</li> </ul>	<ul style="list-style-type: none"> <li>You get a better looking door</li> <li>You can move your furniture in and out with ease</li> <li>You do not need to repair damage to door or plasterwork</li> <li>You have no inconvenience as your installation will be carried out on time</li> </ul>
2D 2D-F 2D-C 2D-A	<b>PAS 024 (SBD) Certified</b> <ul style="list-style-type: none"> <li>Independently proven security performance</li> <li>CE marking and Document Q compliant.</li> </ul>	<ul style="list-style-type: none"> <li>You have an added value offering that meets SBD requirements</li> <li>CE marking and Document Q compliant.</li> </ul>	<ul style="list-style-type: none"> <li>You have an added value offering that meets SBD requirements</li> <li>CE marking and Document Q compliant.</li> </ul>	<ul style="list-style-type: none"> <li>You have peace of mind and security. You can sleep safe at night</li> </ul>
2D 2D-F 2D-C 2D-A	<b>Double pin design (40kg)</b> <ul style="list-style-type: none"> <li>High load carrying capacity</li> <li>Will not drop or sag</li> <li>Enables easy door removal - even on inward opening doors</li> </ul>	<ul style="list-style-type: none"> <li>You can use just 3 hinge per door up to 120kg saving you costs.</li> </ul>	<ul style="list-style-type: none"> <li>You can eliminate hinge related service calls. Saving you time and money. Your reputation is enhanced.</li> <li>One single operative can remove and reinstall leaf from frame single handed.</li> <li>You save time and money, optimising manpower</li> </ul>	<ul style="list-style-type: none"> <li>You get a better looking door</li> <li>Eliminate the need for service calls</li> <li>Door leaf can easily be removed when moving your furniture</li> </ul>
2D 2D-F 2D-C 2D-A	<b>2 dimensional direct adjustment</b> <ul style="list-style-type: none"> <li>Rotational axis of the hinges remains constant at all times</li> <li>Easy direct downward adjustment of 4mm</li> </ul>	<ul style="list-style-type: none"> <li>You can easily amend slight deflections in frame or sash</li> <li>You have no need to accommodate low thresholds with flag hinges i.e. fit them expecting them to drop</li> </ul>	<ul style="list-style-type: none"> <li>You get the adjustment you require without compromise</li> <li>You also reduce service calls due to squeaking hinges</li> <li>You can optimise the threshold seal compression without the risk of premature wear of the seal eliminating consequential service calls</li> </ul>	<ul style="list-style-type: none"> <li>You get a longer lasting, more durable, squeak free door</li> <li>You do not have draught or leak issues with your door</li> <li>No waiting around for a service call</li> <li>No aggravation</li> </ul>
2D 2D-F 2D-C 2D-A	<b>Pre-set gasket pressure</b> <ul style="list-style-type: none"> <li>Factory set, guaranteed, gasket pressure</li> </ul>	<ul style="list-style-type: none"> <li>Your production is right first time and the installer cannot interfere with the setting so no comeback from installers</li> <li>You can easily identify other process issues such as correct corner cleaning</li> </ul>	<ul style="list-style-type: none"> <li>You have no need to adjust gasket pressure</li> <li>Guaranteed correct compression every time</li> <li>You can eliminate more service calls</li> <li>If there is a gasket pressure issue you have no liability - that is with the fabricator</li> </ul>	<ul style="list-style-type: none"> <li>You have a door with guaranteed consistent weather performance</li> </ul>
2D 2D-F 2D-C 2D-A	<b>Precision Jig System (optional multi jig system)</b> <ul style="list-style-type: none"> <li>Ensures consistent, easy preparation</li> </ul>	<ul style="list-style-type: none"> <li>Speed and accuracy of fit means that you will save production time and money</li> </ul>	<ul style="list-style-type: none"> <li>You will have a product where full adjustment is still available</li> </ul>	<ul style="list-style-type: none"> <li>You will have a perfectly functioning door resulting in no call backs</li> </ul>
2D	<b>Profile Specific Sash Plates</b> <ul style="list-style-type: none"> <li>Tailored sash plates which enhance the appearance of the finished door set</li> </ul>	<ul style="list-style-type: none"> <li>You will be safe in the knowledge that you are fitting a purpose made product</li> </ul>	<ul style="list-style-type: none"> <li>Gives you improved aesthetics which gives you a key selling point</li> <li>You will be safe in the knowledge that you are fitting a purpose made product</li> </ul>	<ul style="list-style-type: none"> <li>You will have a tailor made, purpose designed better looking door</li> </ul>
2D-C	<b>Traditional appearance, over the air gap position</b> <ul style="list-style-type: none"> <li>Improved aesthetics</li> <li>No damage to door reveal or plaster</li> <li>Reduces the risk of transport damage</li> </ul>	<ul style="list-style-type: none"> <li>You have fewer remakes to produce saving you time and money</li> </ul>	<ul style="list-style-type: none"> <li>You do not need to repair damage to door or plasterwork</li> <li>Your installations can take place on time, maximising your efficiency, thus saving you time and money</li> </ul>	<ul style="list-style-type: none"> <li>You get a better looking door</li> <li>You do not need to repair damage to door or plasterwork</li> <li>You have no inconvenience as your installation will be carried out on time</li> </ul>