

### Regal Sprung Inline Lever Lever



### Features

- Stylish Lever Handle**  
 Developed to replicate traditional forged hardware in appearance and durability
- Supplied with screw and spindle pack to suit 44-48mm profiles**  
 Everything needed for installation included
- Colour coordinated screw heads**  
 Perfectly matching hardware, even down to the smallest details
- Solid die cast construction with heavy duty spring cassette**  
 Sturdy feel and consistent 90 degree lever return
- Wide backplate**  
 To suit cylinder guards and accommodate larger cylinder preparation
- Supplied with care instructions**  
 Helps the homeowner to keep the hardware in optimal condition
- Supplied fully assembled**  
 Simple and quick installation, no need to fit springs or lever
- Silicon Site-Protectors available**  
 Ensures perfect condition after installation
- Each part packaged in a separate chamber, but supplied as a set**  
 No scratching of parts during transit



Forged  
Black



Hardex  
Pewter

### Regal Sprung Inline Lever Lever

#### Ordering Details

##### Product

Regal Inline Lever Lever

##### Finish

##### Part No.

Forged Black

DHMRGL-FB

Hardex Pewter

DHMRGL-PT

For additional part numbers please contact our sales office.

#### Technical Information

##### Corrosion resistance

Meets the requirements of BS EN 1670:2007 Grade 5 (480 hours)

##### Operation

Endurance tested in excess of 200,000 cycles

##### Performance

Tested to meet the requirements of PAS 24 as part of a compliant door set.

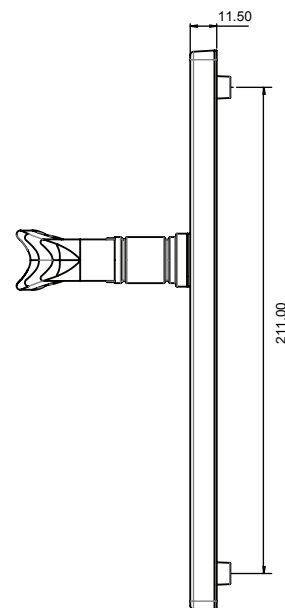
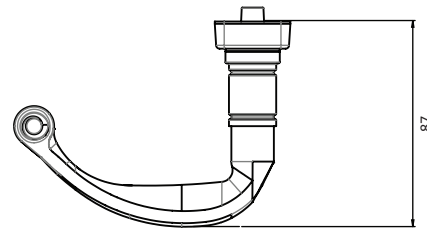
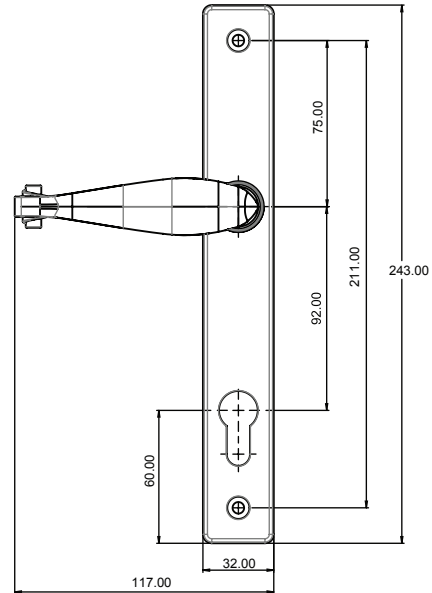
#### Material Specification

Handle Grip and Backplate: High quality Zinc for all finishes.

Coatings: Forged Black and Hardex Pewter

Spindle / Screws: Machine screws with colour coordinated heads for handle.  
44mm - 48mm profiles (1 x 8mm x 90mm spindle; 2 x 60mm M5 screws)

Cylinder: Euro Cylinder, 92mm PZ



#### Maintenance

For continued protection of the quality finish and appearance, Fab&Fix advise routine cleaning of all our external hardware. Moving parts should also be lightly lubricated at least twice a year. This procedure is particularly essential if products are used within a 25-mile radius of coastal areas or close proximity to building sites or large industrial areas, where more frequent cleaning may be required to prevent the accumulation of corrosive contaminants.

#### Packaging

##### Handles

Individually bagged with screws, spindle and care instructions.  
15 handles in an outer box.

All dimensions are in mm and are nominal.  
Fab&Fix reserves the right to change specification without notice.  
It is the responsibility of the door manufacturer to ensure that the finished product meets any required safety and performance specification.