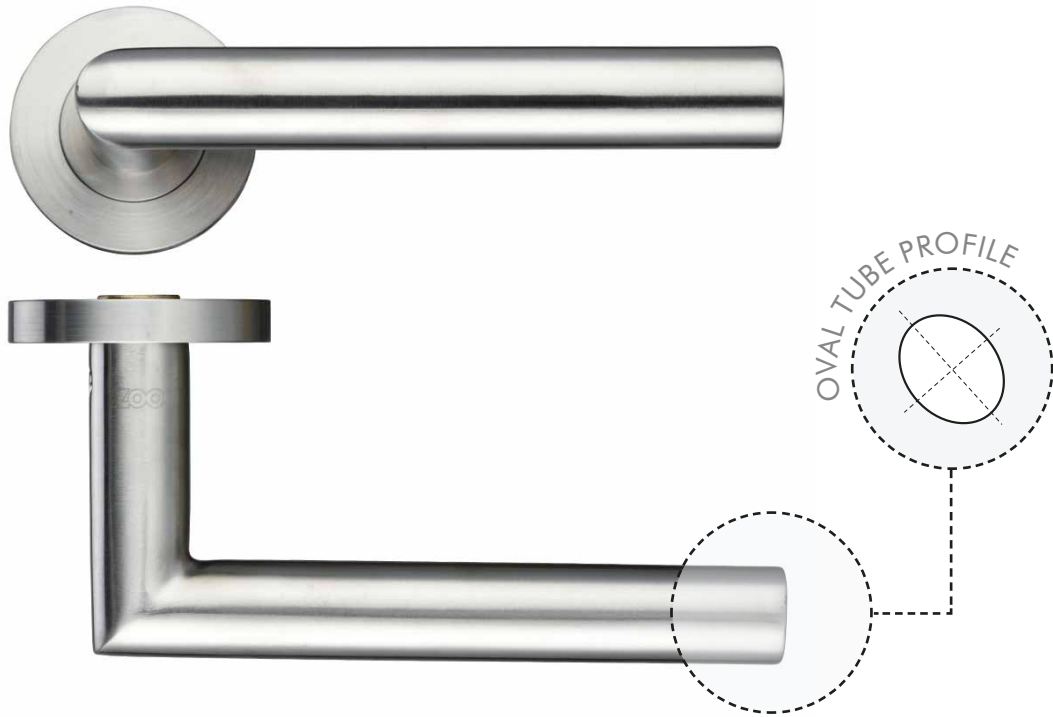


TECHNICAL SPECIFICATION SHEET

ZCS050



CODE	FINISH
ZCS050SS	SATIN STAINLESS

SPECIFICATIONS

- Rose diameter 52mm
- Rose projection 8mm
- 19mm diameter tubular lever
- ZCS 304 Grade material
- Push on stainless steel outer rose
- M4 male / female fixings supplied
- 100mm Heso steel spindle supplied
- M6 Heso grub screws for additional fixing strength
- Also supplied with 20mm wood screws
- Fire tested suitable For 30 & 60 min timber doors
- BS EN 1906 Grade 3 tested

3 7 - B 0 5 0 B

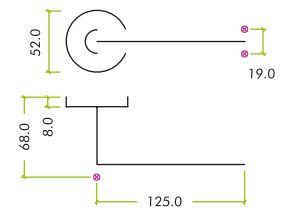
STANDARDS



SUITABILITY



TECHNICAL



CODE	DESCRIPTION	FINISH	ADDITIONAL INFO.
ZCS050SS	Oval mitred lever - push on rose (sprung)	SS	SS304 lever on rose
 <p>For more information please contact us today: Call: 01228 672900 Fax: 01228 672928 Email: sales@zoo-hardware.co.uk Web: www.zoohardware.co.uk</p> <p>ZOO Hardware Ltd, Unit B, Dukes Drive Kingmoor Park North, Carlisle, Cumbria CA6 4SH</p>		 <p>URS is a member of Registrar of Standards (Holdings) Ltd.</p>	